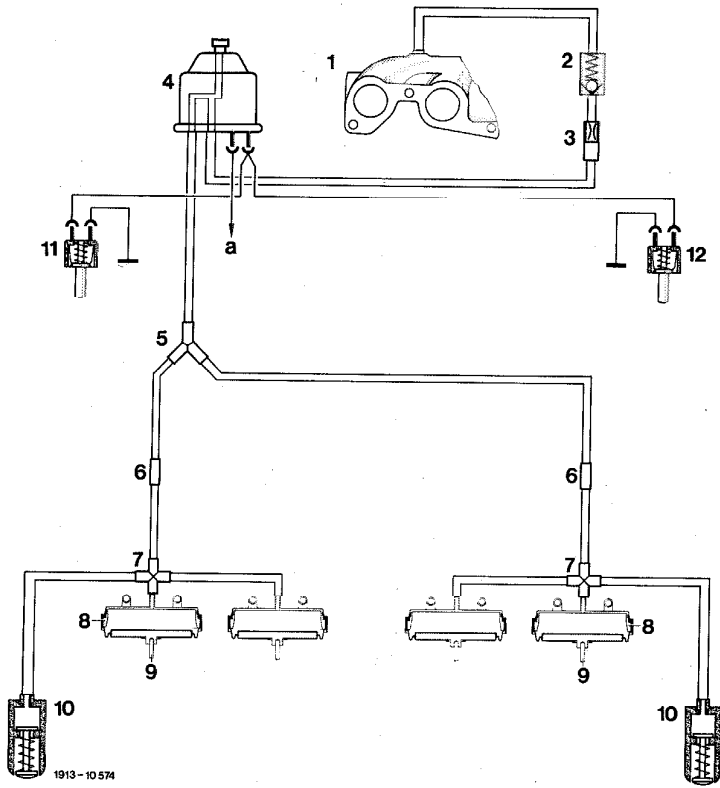


91-162 Function diagram seat backrest lock (coupé)



- | | | |
|-----------------------------|------------------|------------------------------|
| 1 Intake manifold | 5 Distributor | 9 Actuating rod |
| 2 Check valve | 6 Connection | 10 Vacuum switch (backrest) |
| 3 Connection with orifice | 7 Distributor | 11 Door contact switch left |
| 4 Electric switchover valve | 8 Vacuum element | 12 Door contact switch right |

